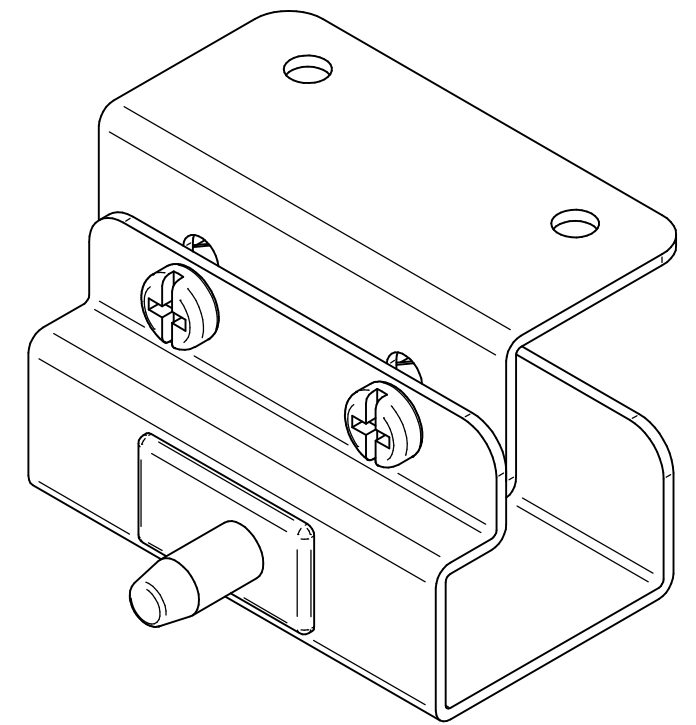


PART No. FDS1

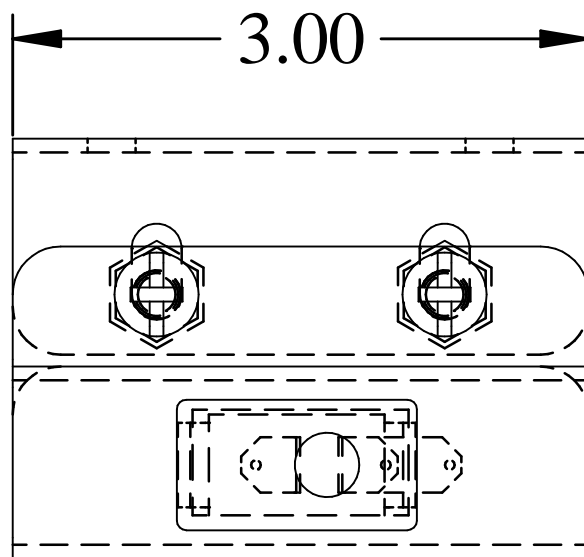
for more information visit
www.hammondmfg.com

Data subject to change without notice

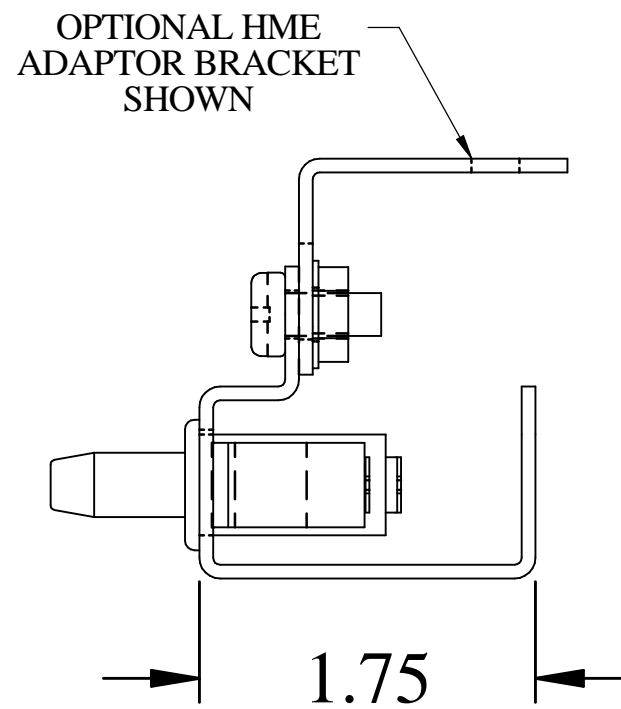
Isometric drawing Not to Scale



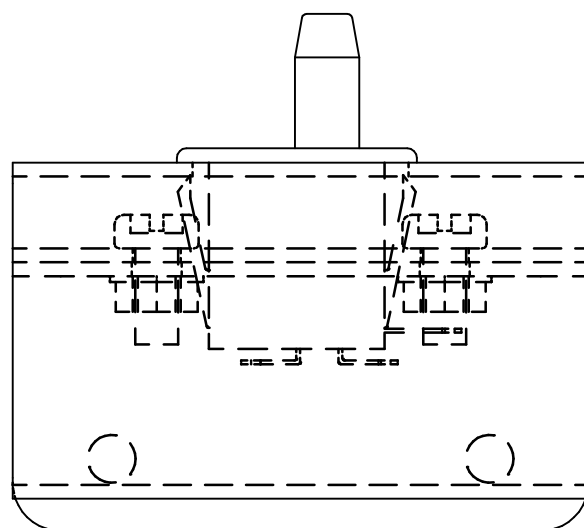
ISOMETRIC VIEW



FRONT VIEW



SIDE VIEW



BOTTOM VIEW